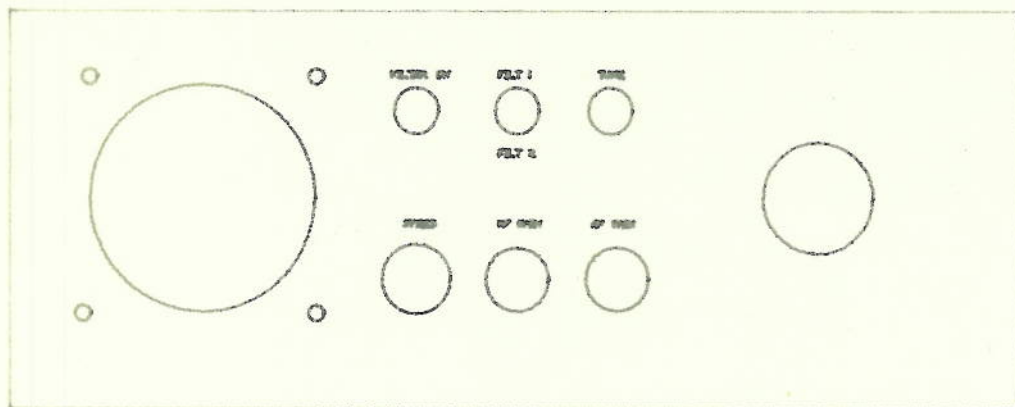


CUSTOM 40



40m CW  
TRANSCEIVER

## Custom 40m CW Transceiver

\*\*\* 1.5 watt VFO controlled transmitter \*\*\*

\*\*\* Automatic T/R switching \*\*\*

\*\*\* Built in keyer \*\*\*

\*\*\* Balanced product detector \*\*\*

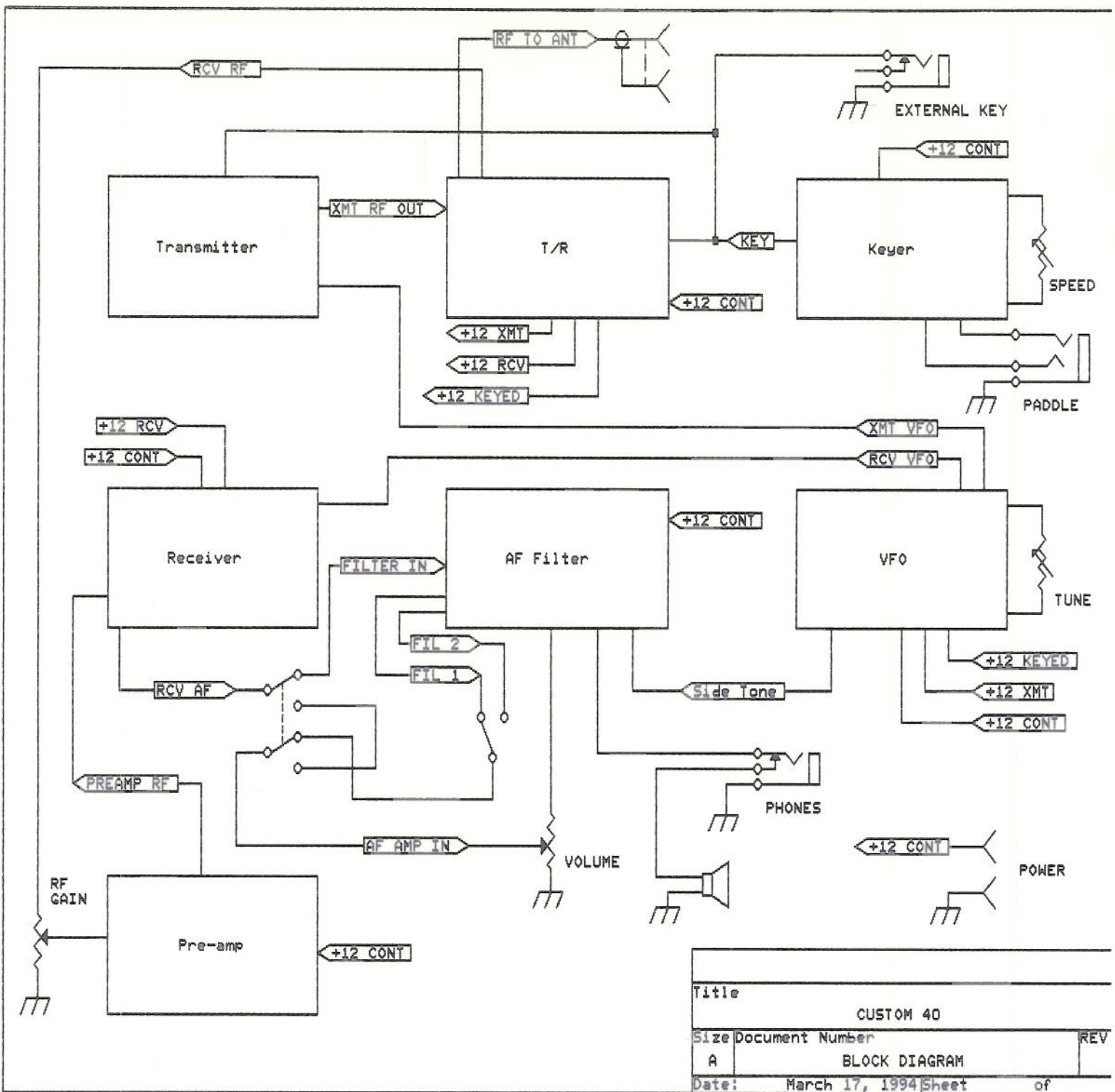
\*\*\* Two section active audio bandpass filter \*\*\*

\*\*\* Built in speaker \*\*\*

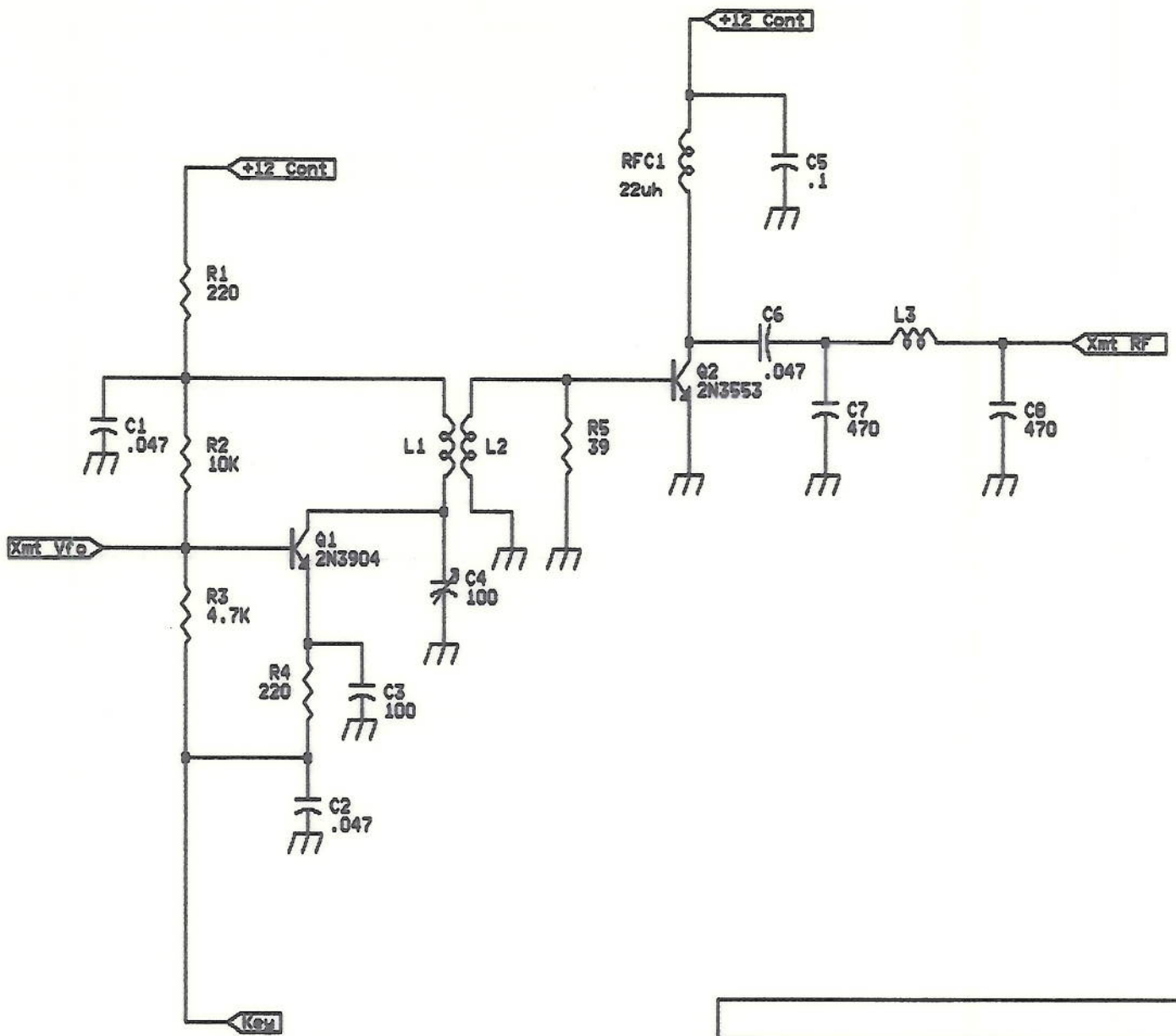
\*\*\* Varactor tuned VFO with automatic transmitter offset \*\*\*

\*\*\* Transmitter sidetone \*\*\*

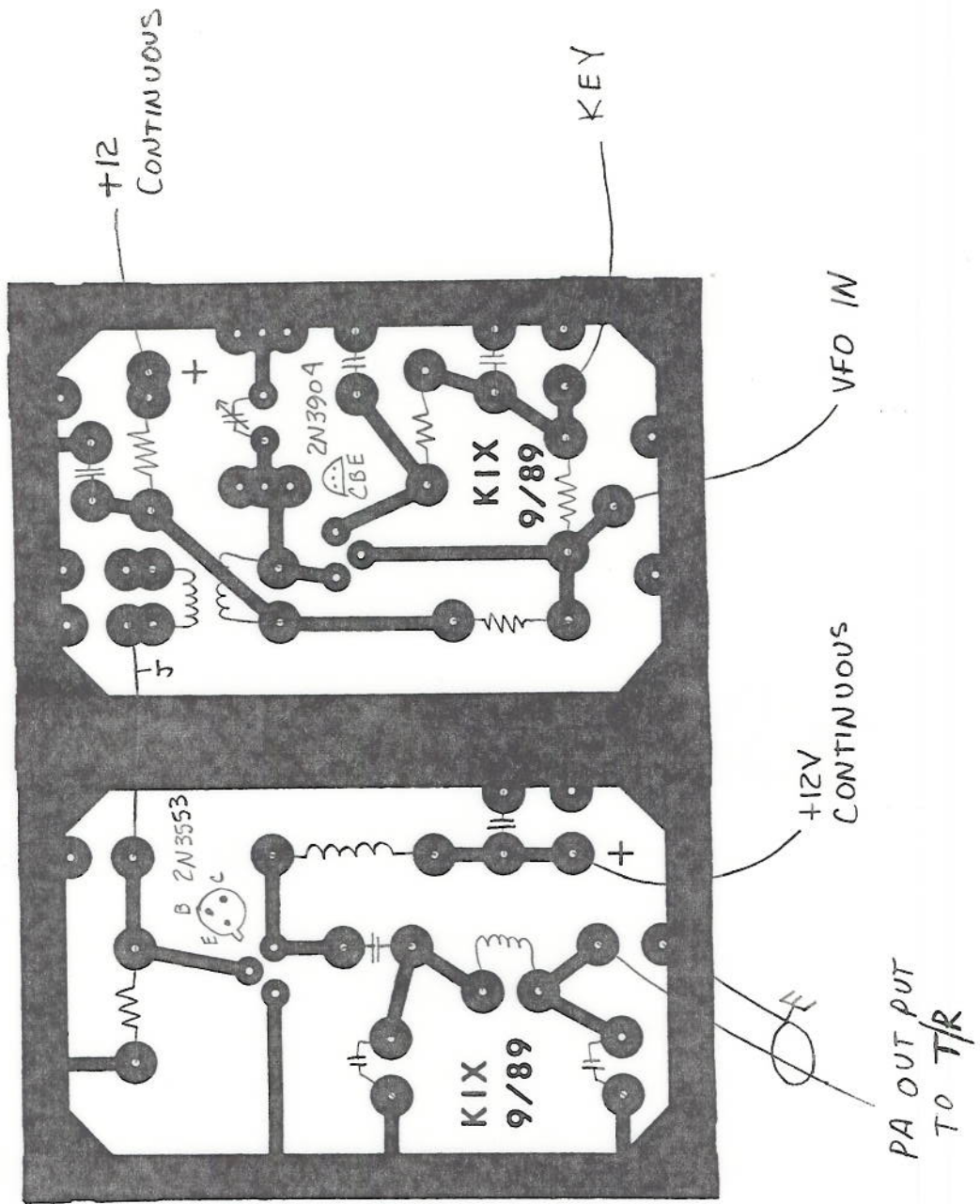
\*\*\* Receiver preamp \*\*\*



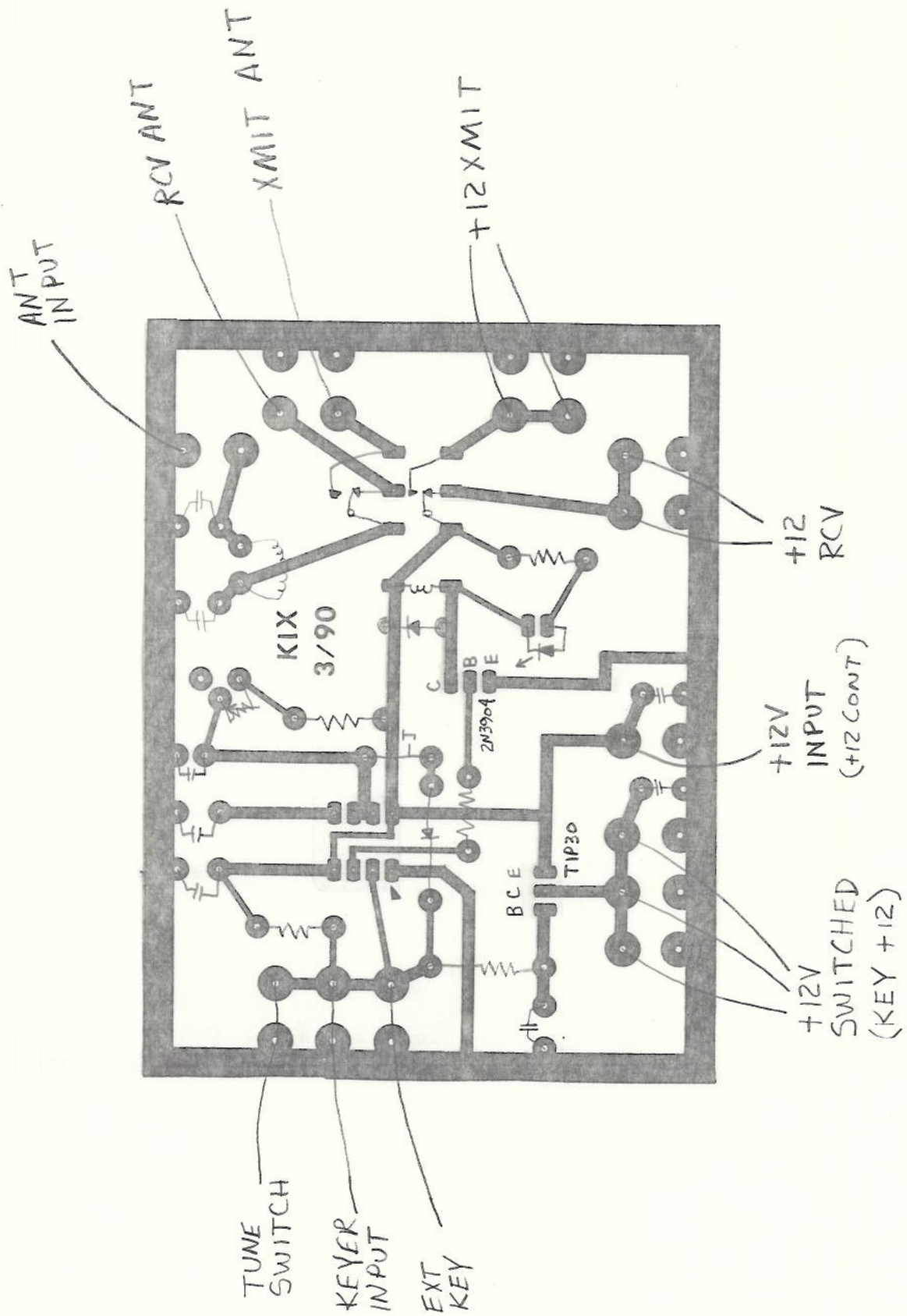
Title		
CUSTOM 40		
Size Document Number		REV
A	BLOCK DIAGRAM	
Date:	March 17, 1994	Sheet of

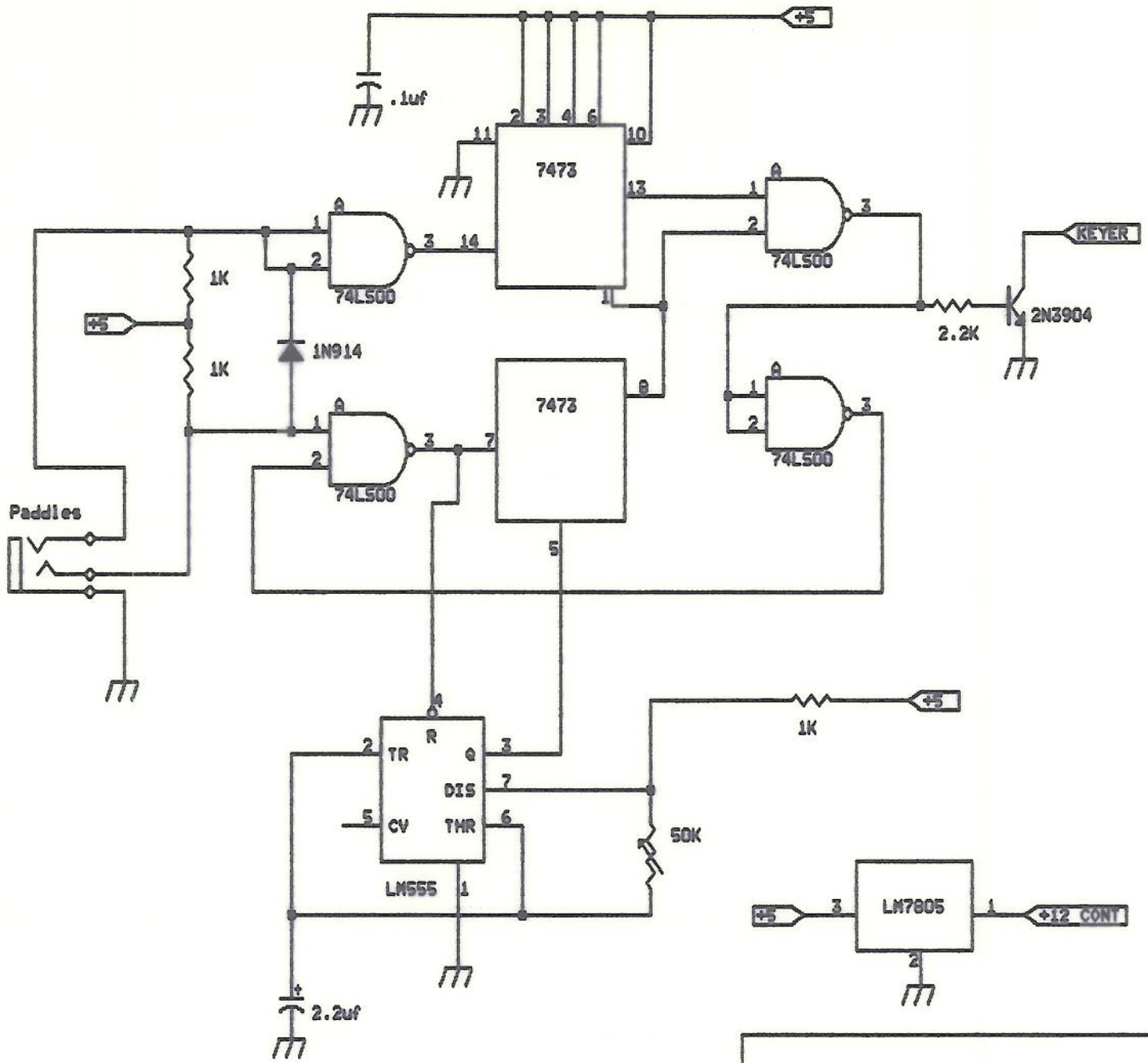


Title		
Custom 40m CW Transceiver		
Size Document Number		REV
A	TRANSMITTER	1
Date:	March 16, 1994	Sheet of 3



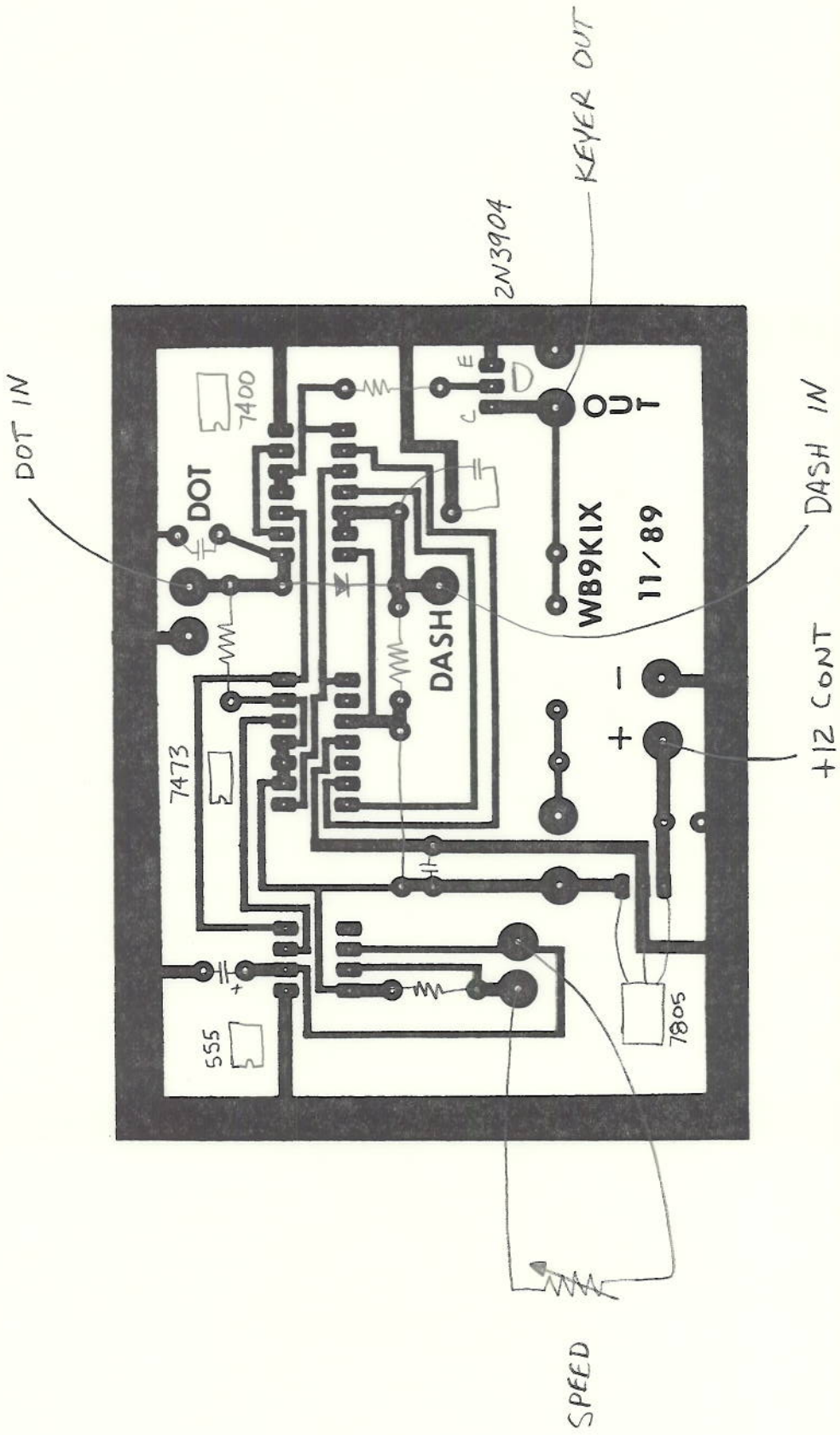


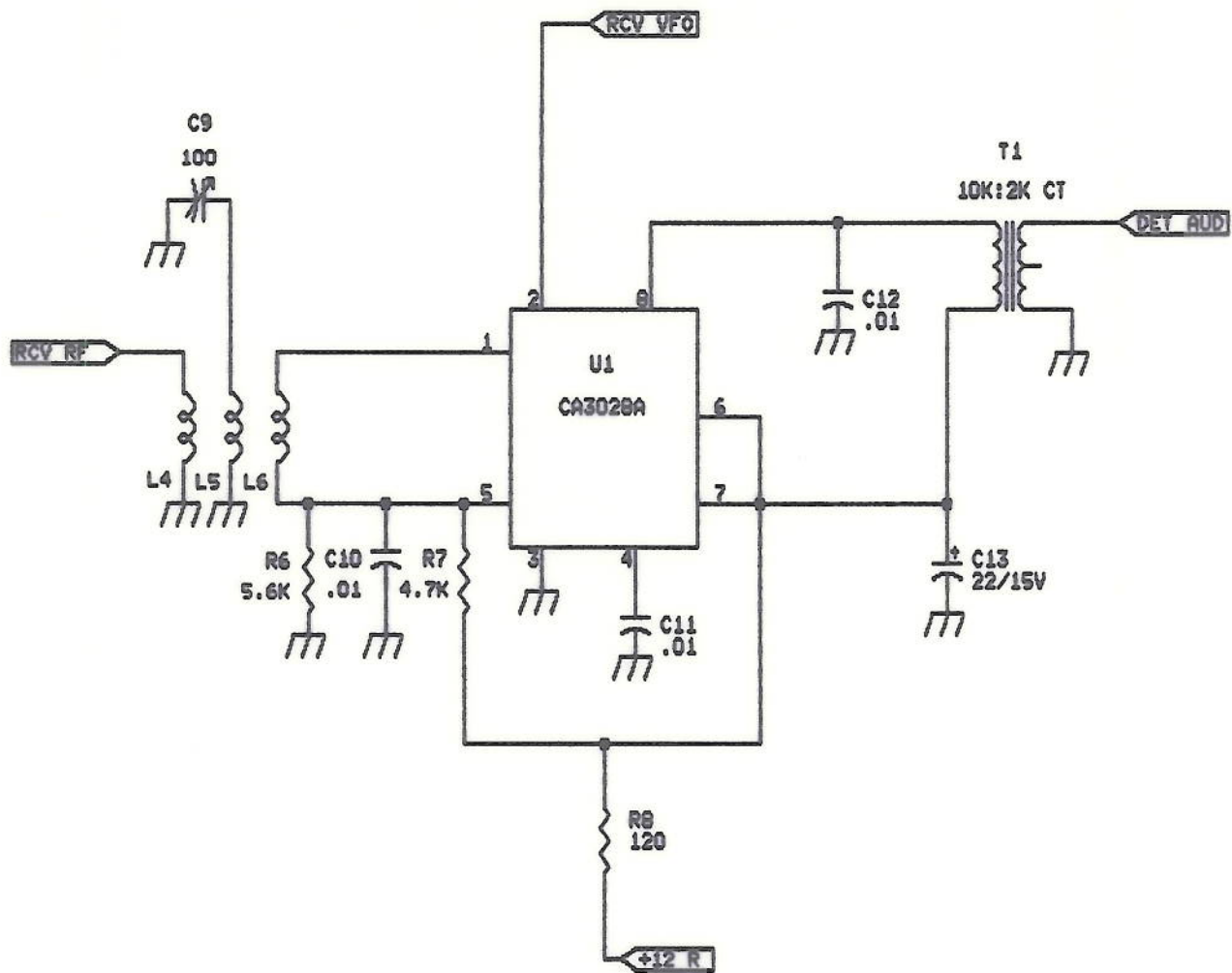




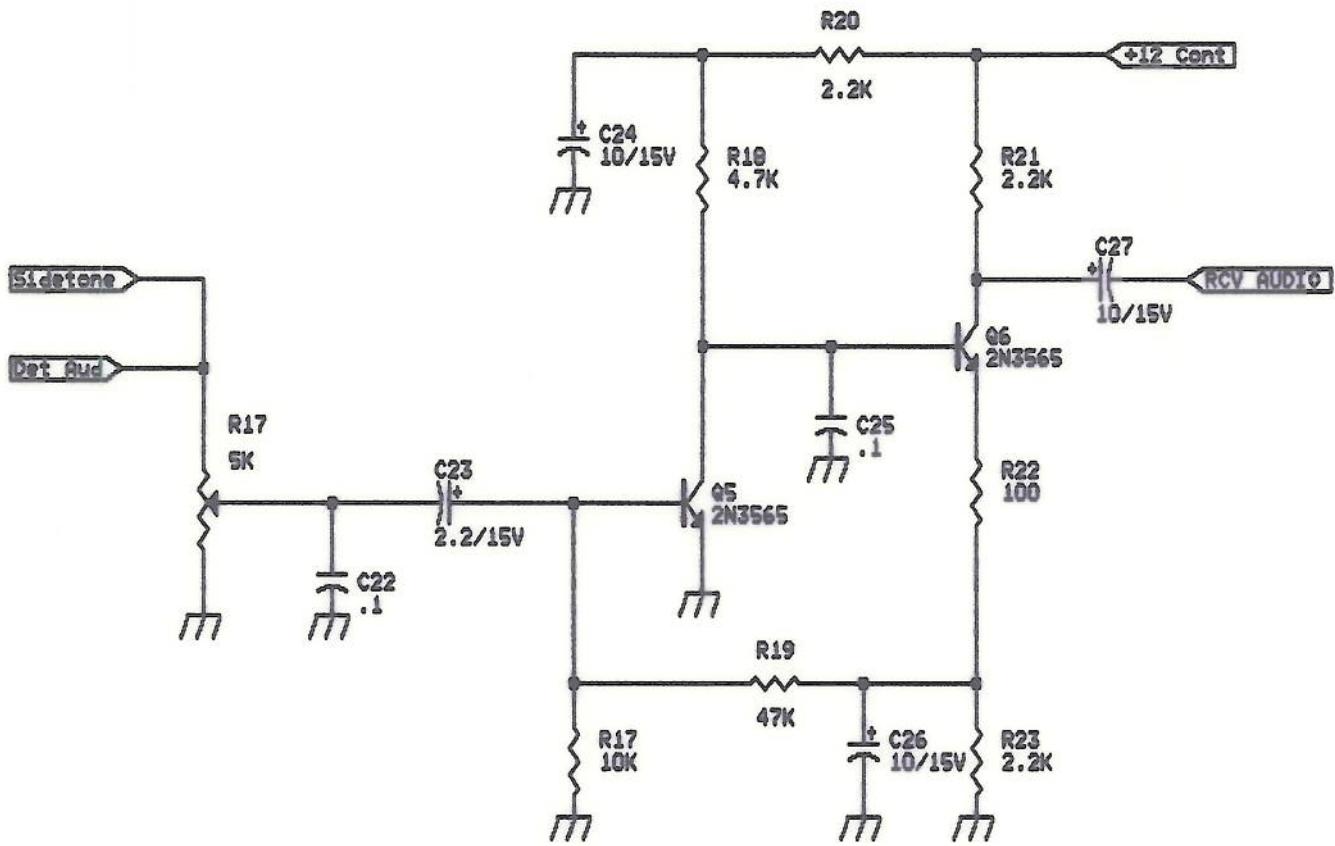
Title		
Custom 40m CW Transceiver		
Size Document Number		REV
A	Keyer	
Date:	March 26, 1994	Sheet of







Title		
Custom 40m CW Transceiver		
Size	Document Number	REV
A	DETECTOR	
Date:	March 16, 1994	Sheet of

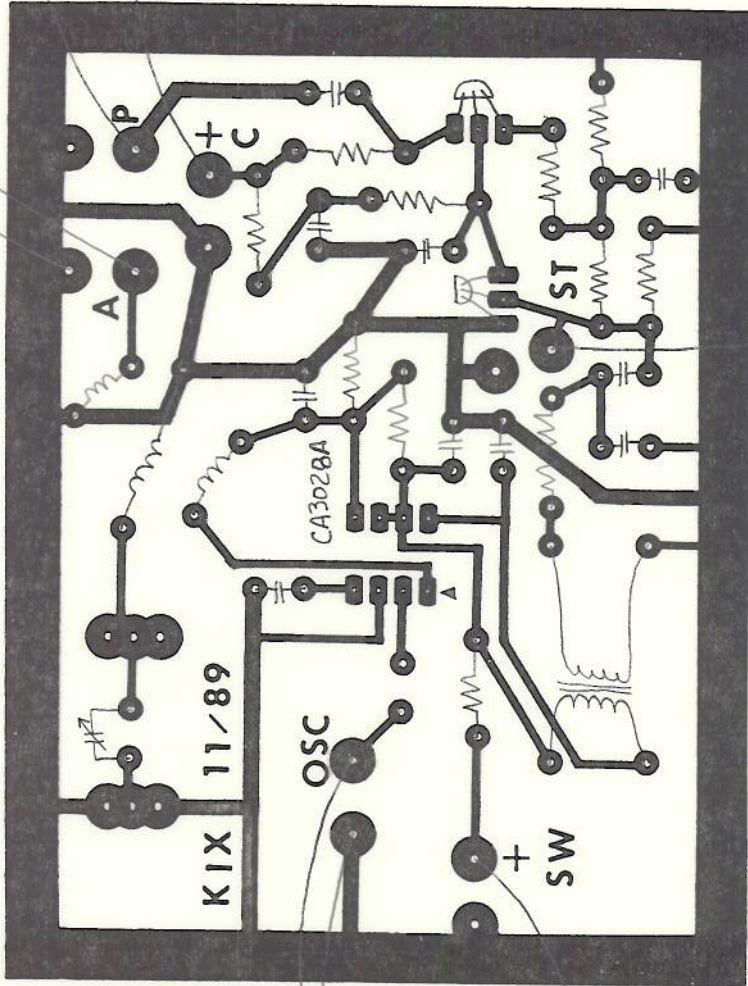


Title		
Custom 40m CW Transceiver		
Size	Document Number	REV
A	Receiver Audio	1
Date:	March 16, 1994	Sheet of

ANT / RF AMP

HI-Z  
AF OUT

+12V  
CONTINUOUS



VFO  
IN

+12V  
SWITCHED

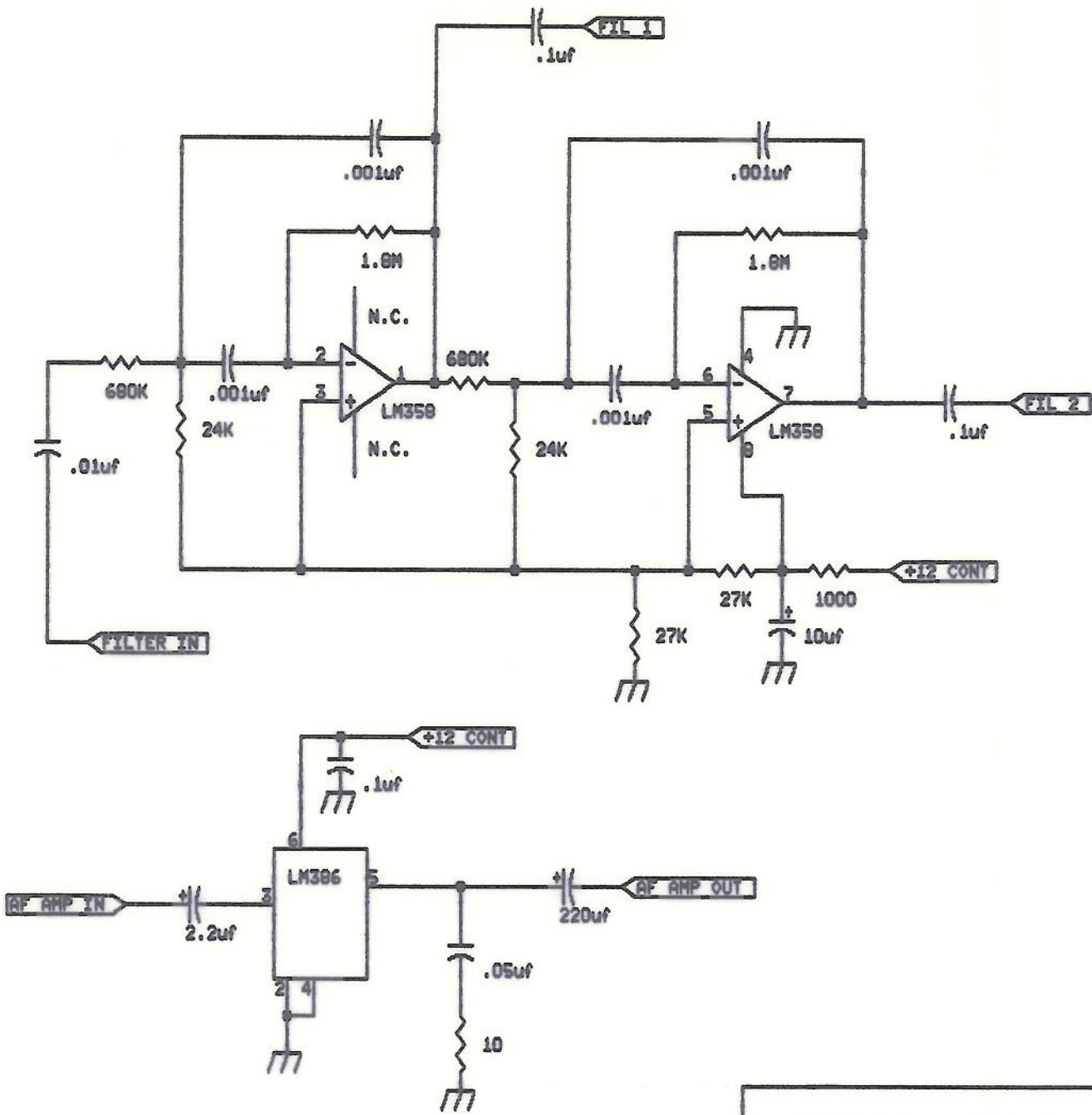


CA3028A  
BOTTOM  
VIEW

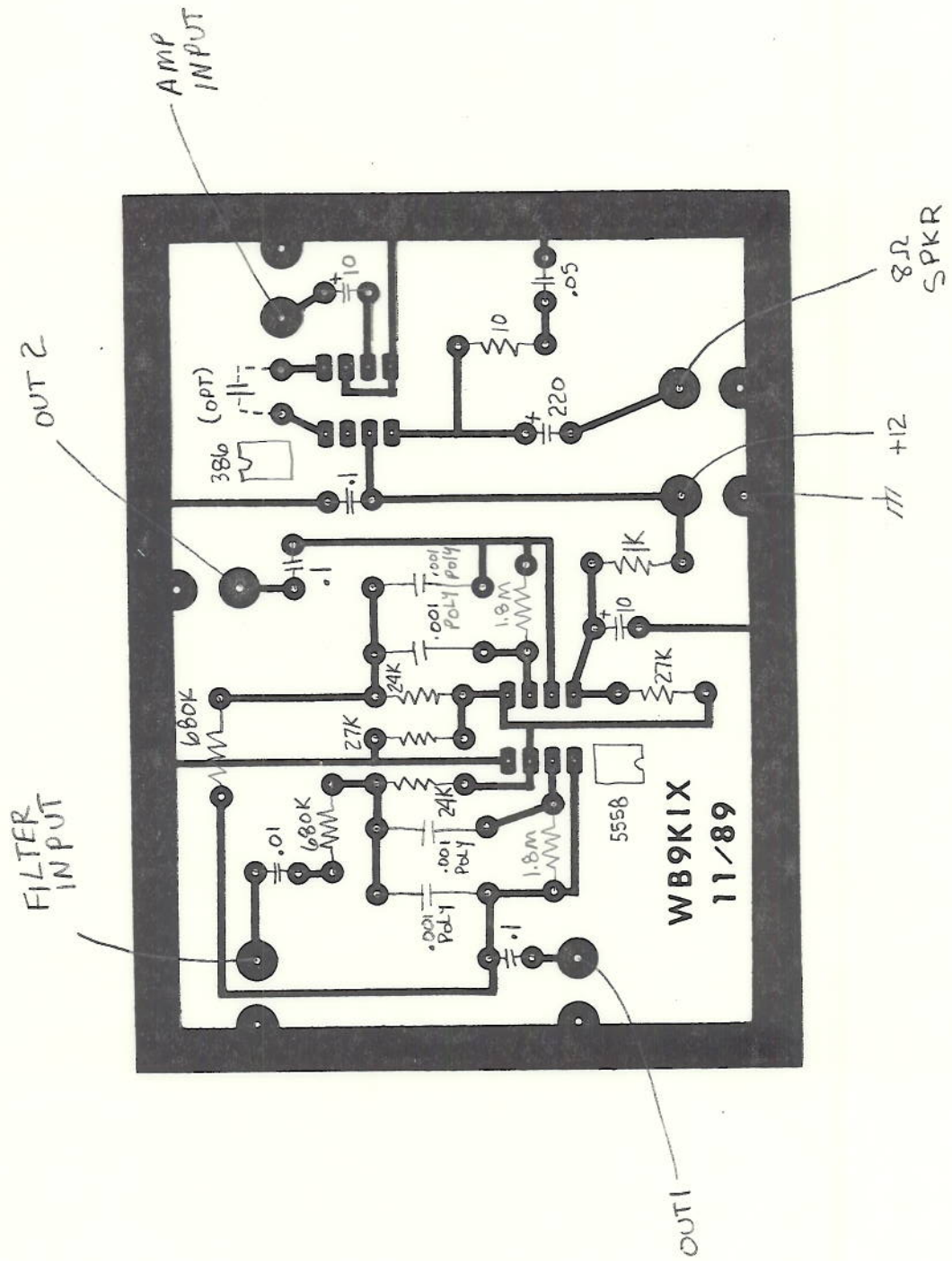


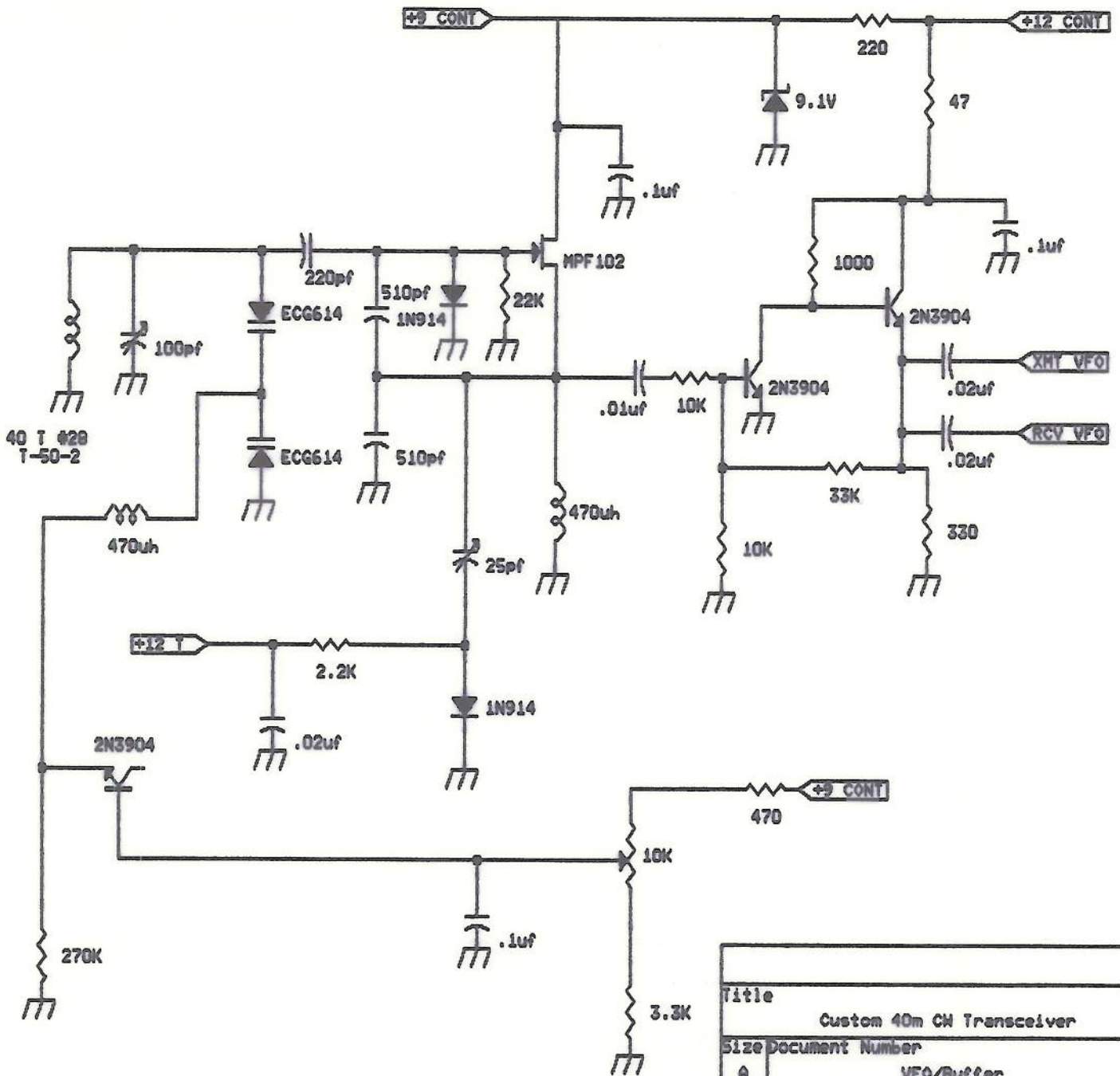
2N3565  
BOTTOM  
VIEW

SIDETONE IN  
(OPT)

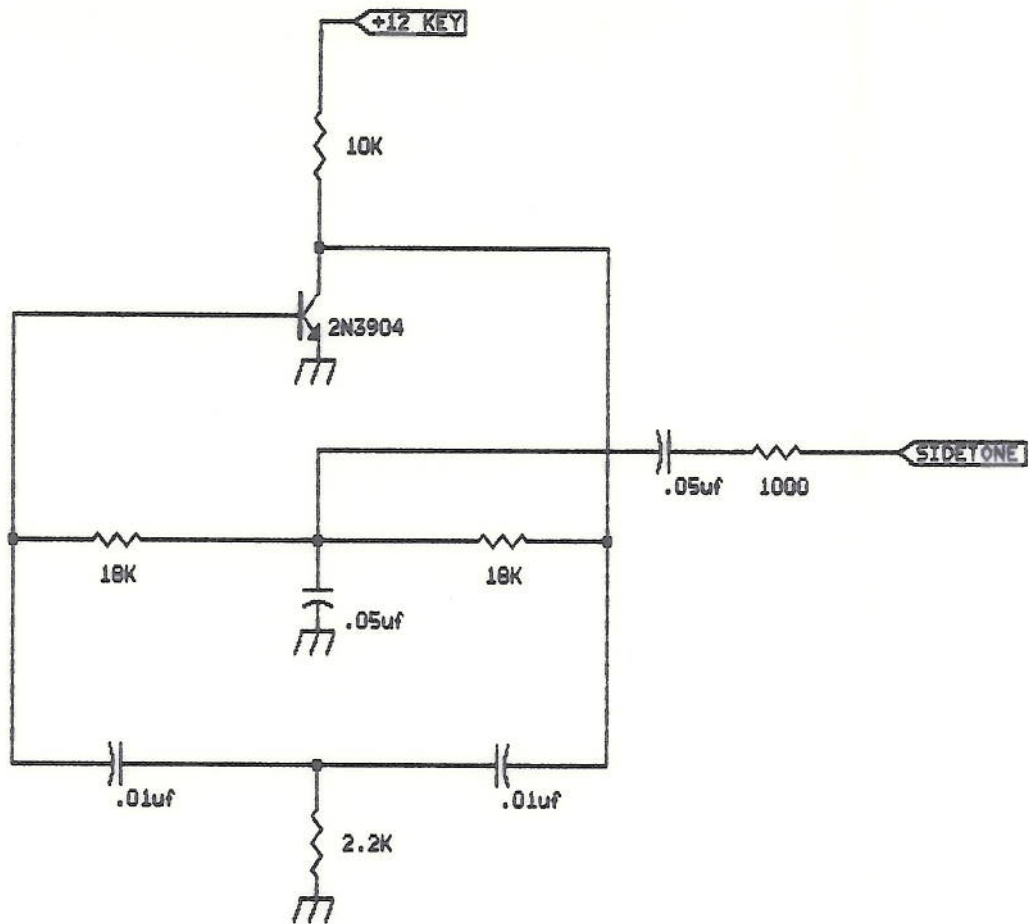


Title	
Custom 40m CW Transceiver	
Size Document Number	
A	Audio Filter
Date:	March 26, 1994 Sheet of





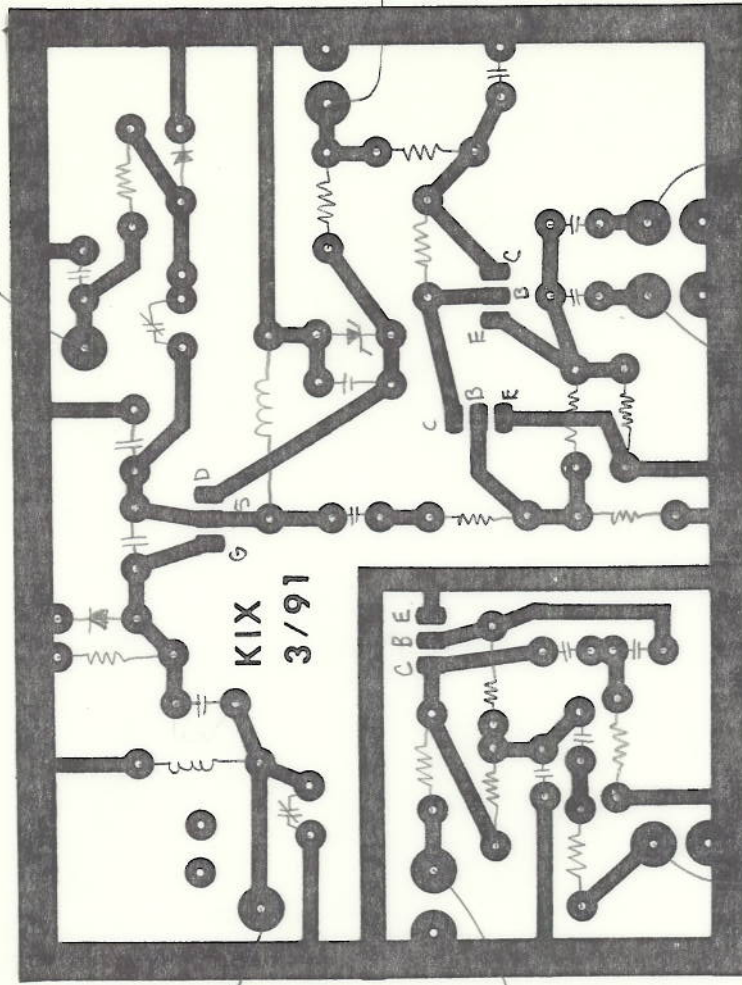
Title	
Custom 40m CW Transceiver	
Size	Document Number
A	VFO/Buffer
Date:	March 26, 1994 Sheet of



Title		
Custom 40m CW Transceiver		
Size	Document Number	REV
A	Sidetone	
Date:	March 26, 1994	Sheet of



+12V  
OFFSET



RF  
OUT  
TO  
RCVR

RF  
OUT  
TO  
XMTA

TONE  
OUT

MAIN  
TUNING

KEYED  
+12V

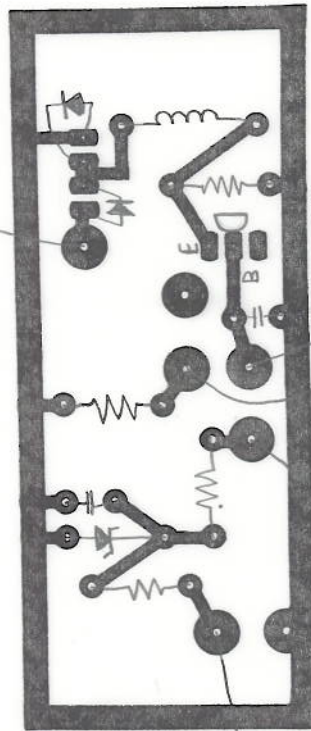


2N390A



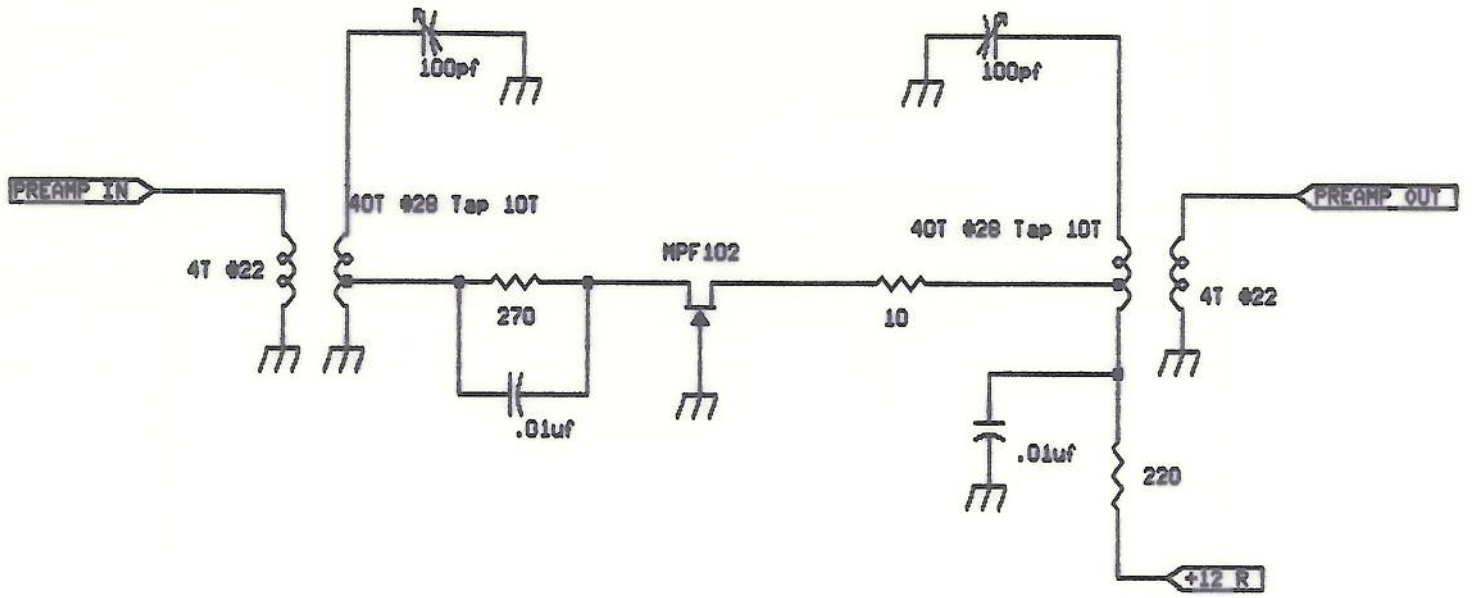
MPF-102

VARIACAP OUT  
TO MAIN VFO



+12  
CONT

MAIN VFO  
TUNE



Title	
Custom 40m CW Transceiver	
Size Document Number	
A	Receive Preamp REV
Date:	March 26, 1994 Sheet of

