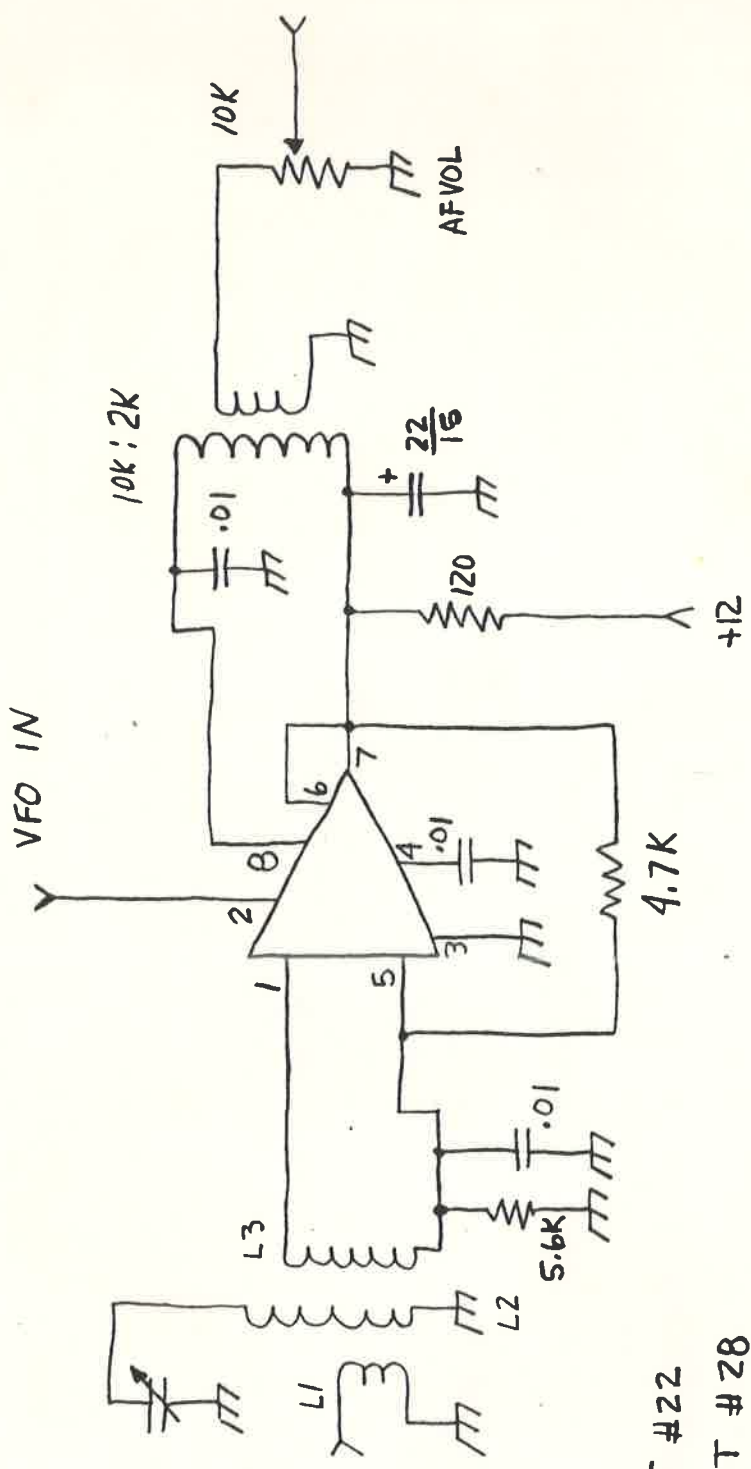
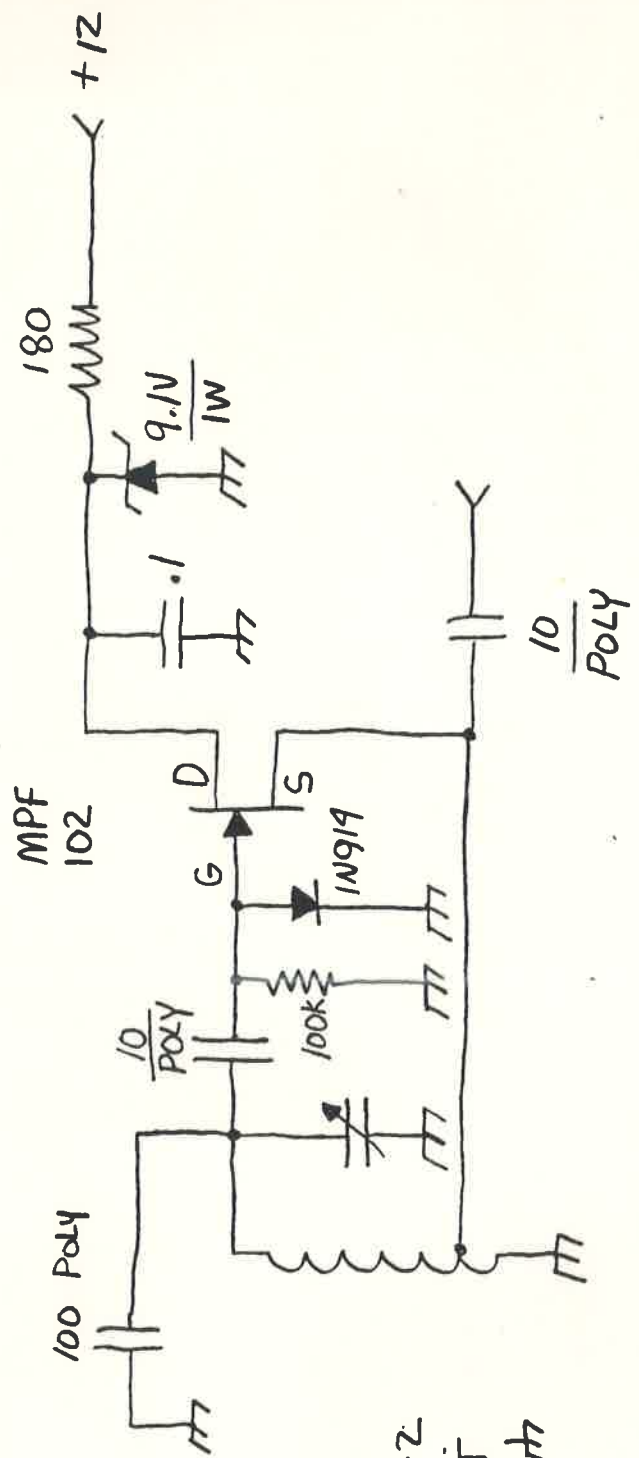


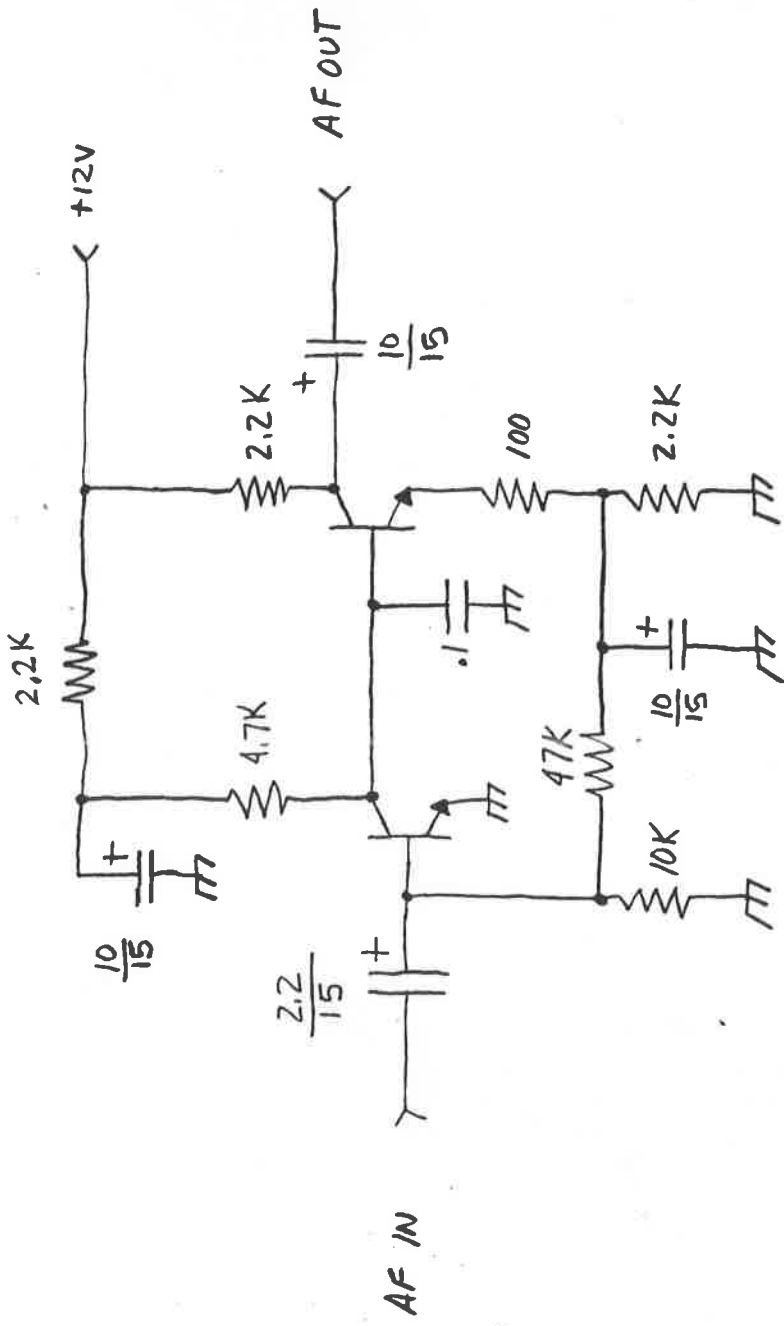
BLOCK  
DIAGRAM  
2-26-87 JAT



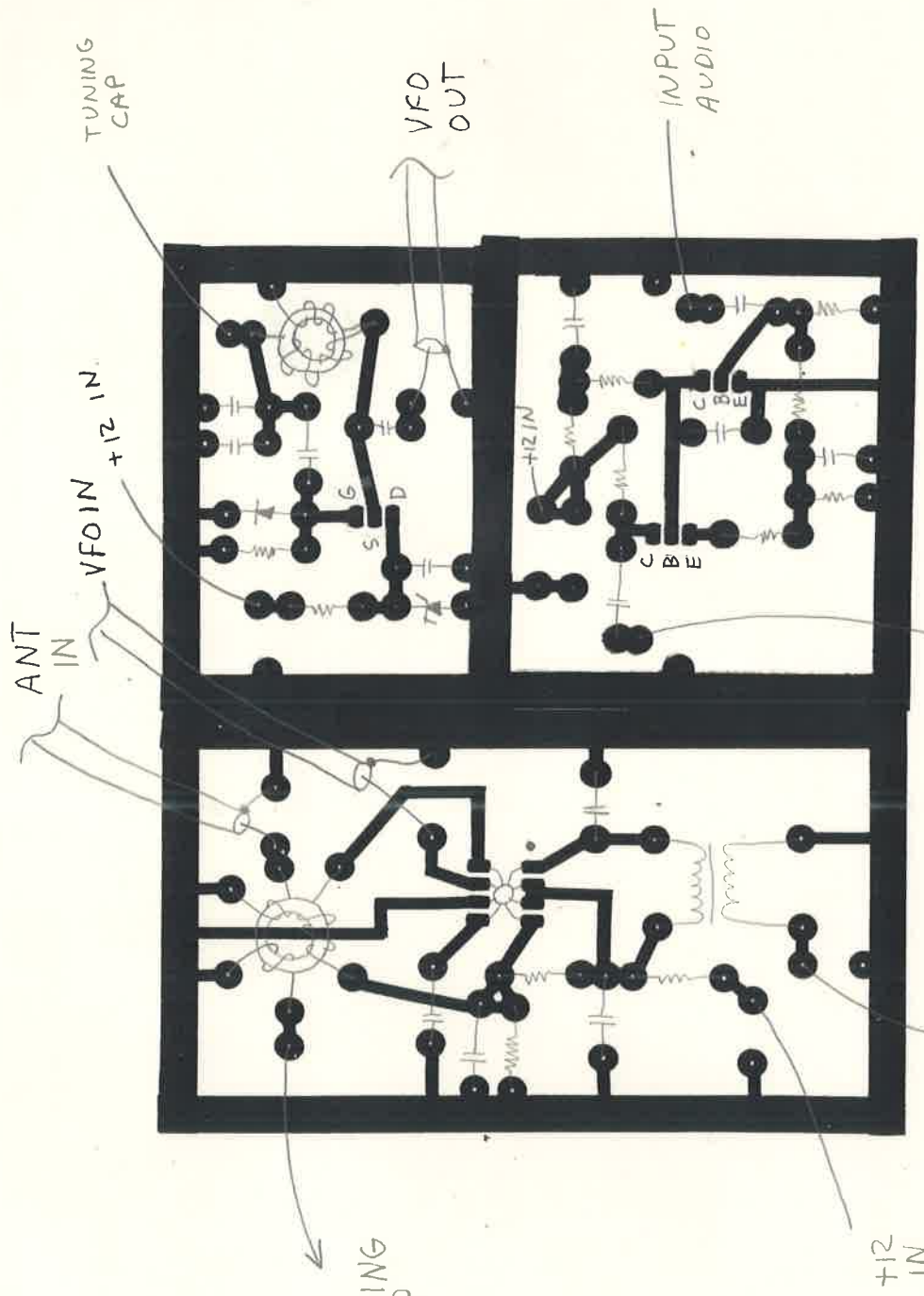
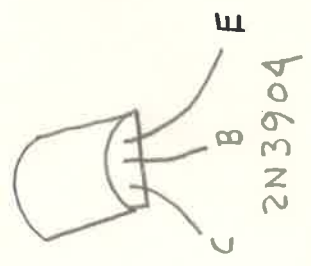
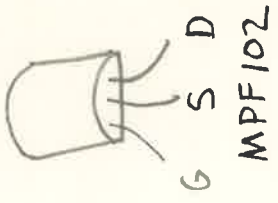
- L1 - 5T #22
  - L2 - 40T #28
  - L3 - 10T #22
- T-50-2



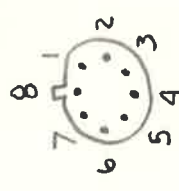
23T  
 # 28  
 T-50-2  
 TAP 7T  
 FROM A7



2x 2N2904



COMPONENT VIEW



BOTTOM VIEW

TO TUNING CAP

+12 IN

AF OUT